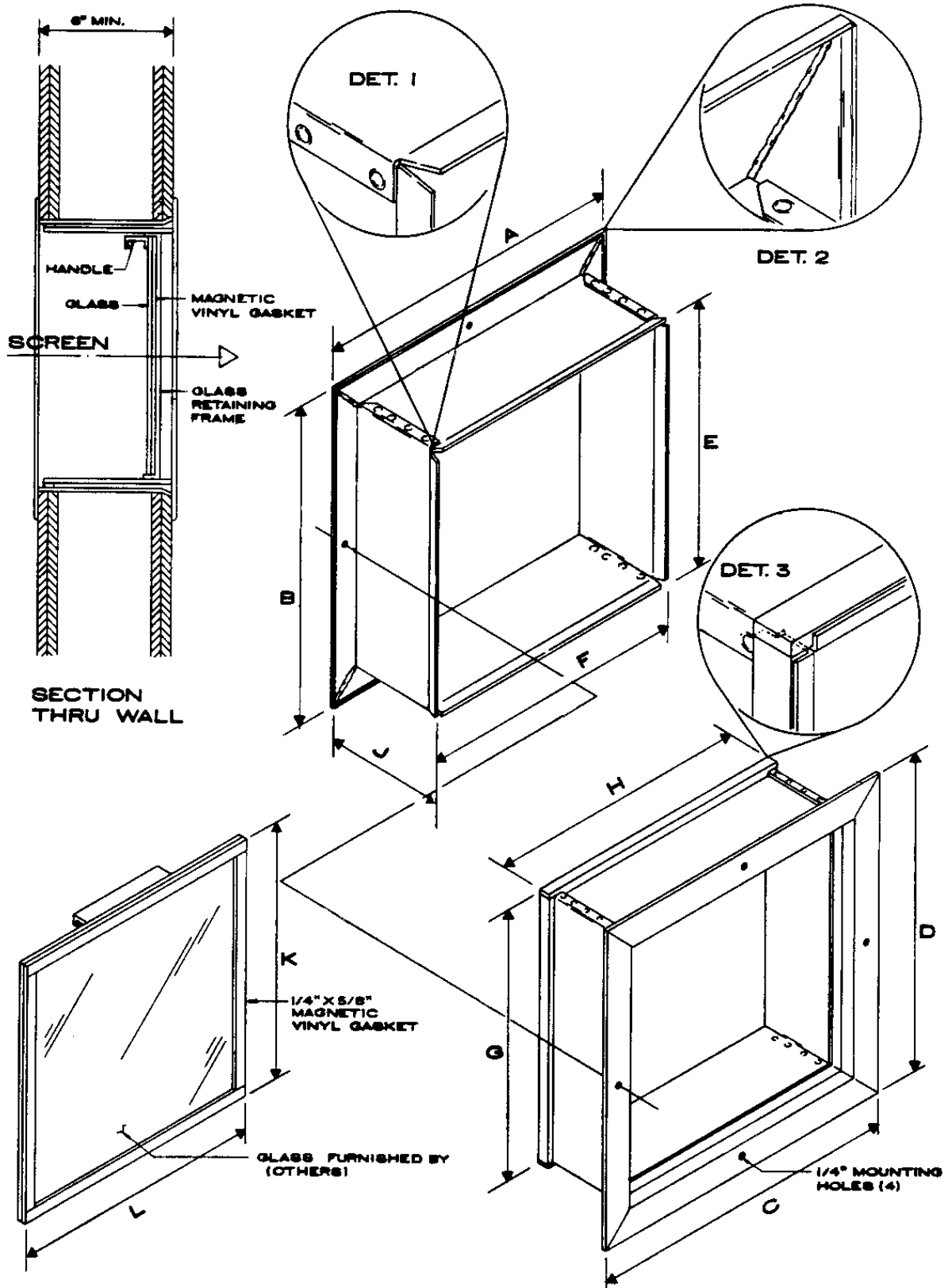




KELMAR

Systems Inc., 284 Broadway, Huntington Station, NY 11746 • 631.421.1230 • FAX 631.421.1274

Porthole Dimension Sheet for 24 x 24 Frame





KELMAR

Systems Inc., 284 Broadway, Huntington Station, NY 11746 • 631.421.1230 • FAX 631.421.1274

Porthole Dimension Sheet for 24 x 24 Frame

A: 28"

B: 28"

C: 27-3/8"

D: 27-3/8"

E: 24-7/8"

F: 24-7/8"

G: 24-3/8"

H: 24-3/8"

J: 6"

K: 23-5/8"

L: 23-5/8"

Trim Flange is 1-3/4" Wide

To determine Rough Opening add 1-3/8" to Specified Size ie:

24"w X 24"h = 25-3/8"w X 25-3/8"h Rough Opening