

Barco service bulletin

Serial Number: 959
Date: 17/02/2011
Product: Lamp strike issues on DP2K-xxB series
Priority code*: C

- A. "Must" modification, Barco will provide the necessary components to perform this modification at no charge.
- B. Improves the reliability of the product.
- C. Improves the general working conditions of the product.
- D. For information only.

1. LAMP STRIKE ISSUES ON DP2K-XXB SERIES

1.1 General

Phenomenon

Some DPK-xxB projectors have problems striking the lamp.

Cause

The cover plate of the SPG inside the projector has an effect on the magnetic field created by the coil in the SPG (start puls generator). This causes a loss of energy that result in a lower ignition voltage.

Solution

By removing the inner cover plate you can increase the ignition voltage. This results directly in an easier lamp strike.

Scope

All DPK-xxB projectors.

1.2 Approvals

Modification approved by:

Escalation Manager R&D Director Product Manager Quality Manager

If you should have any more questions, or remarks, please do not hesitate to contact our technical support team via the following web site www.Barco.com/esupport.

2. IMPLEMENTATION



WARNING: Make sure that the power to the projector is switched off.

2.1 Removal of the side cover

Necessary tools

Flat screwdriver

How to remove

1. Release both captive screws on top of the side cover.

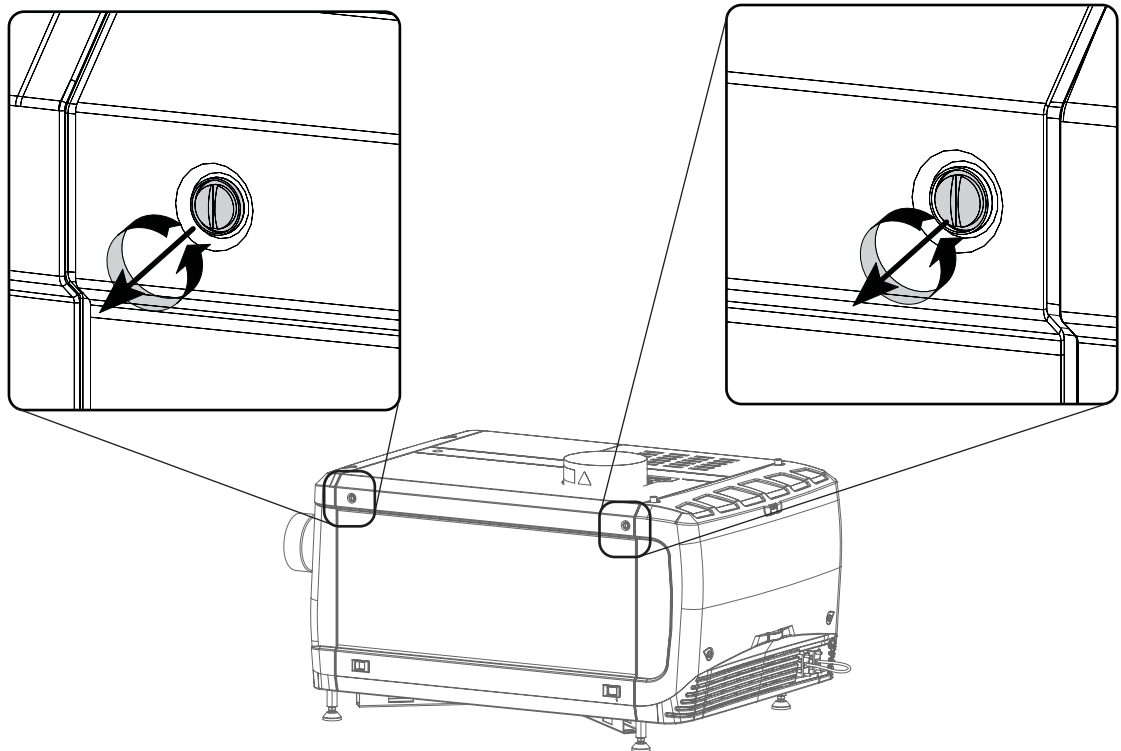


Image 2-1
Captive screws

2. Push both lock to each other to release the locks and pull at the same time the bottom side of the cover away from the projector.

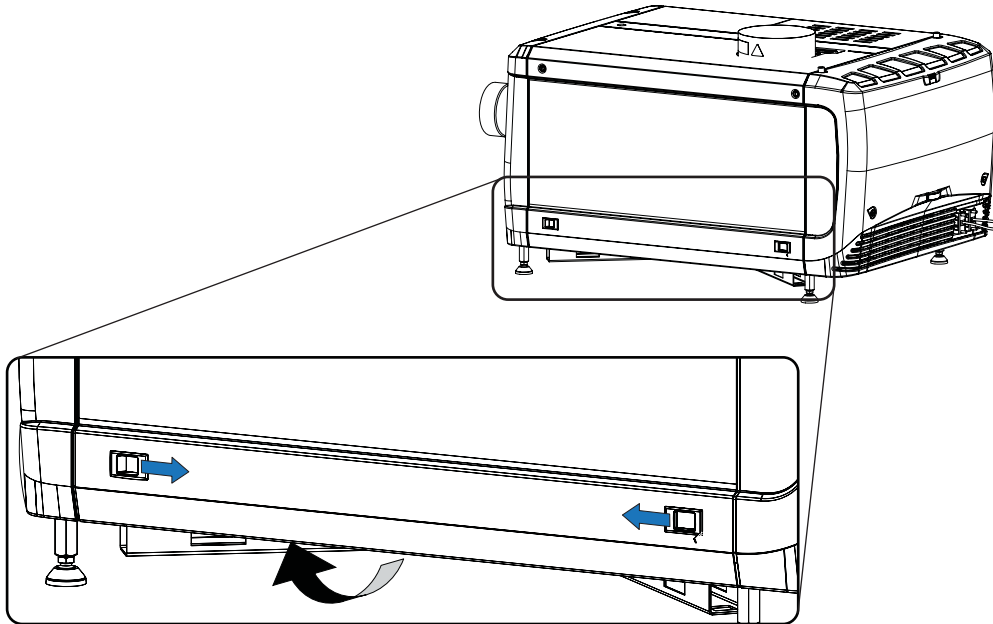


Image 2-2
Unlock side cover

3. Take off the cover.

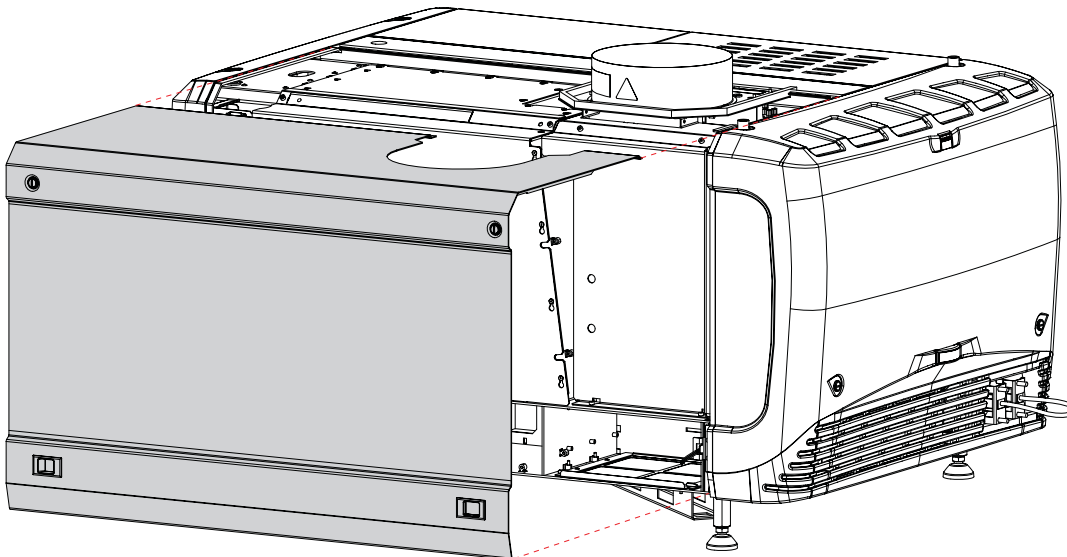


Image 2-3
Side cover

2.2 Removing the inner plate of the SPG

How to remove

1. Remove the inner cover plate of the SPG/Cold Mirror compartment. Use a 3mm Allen wrench to release the four hexagon socket head cap screws (reference 1) as illustrated and take off the cover.

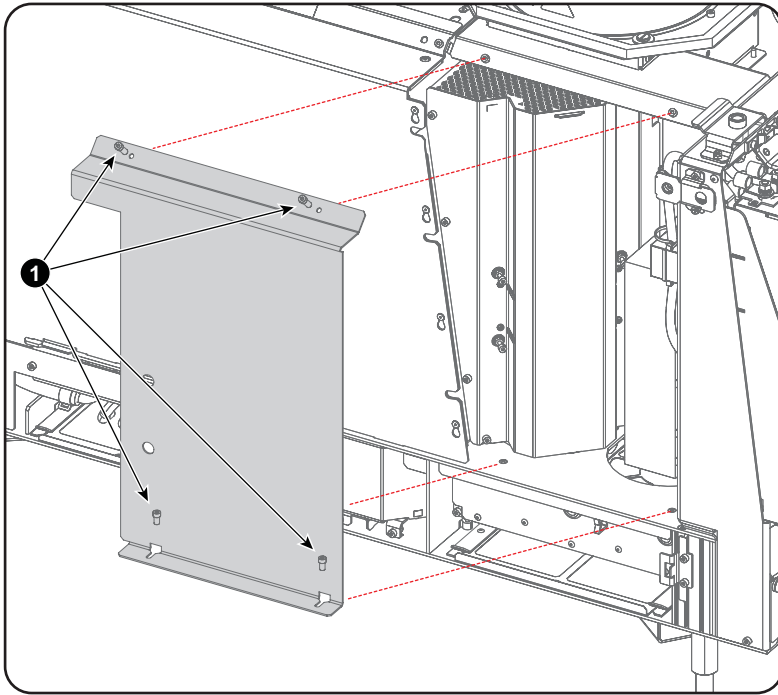


Image 2-4



Reinstall the side cover before starting the projector.
